

PUBLICATIONS DEPARTMENT
REPRO-COPY WITHDRAWAL INFORMATION SHEET

DATE 4-28-82

UNIT NUMBER 1437006-A

CIRCLE ONE: Orig.
 Rev. 1

TITLE Installation of a Cam Retent Spring

SPECIAL INFORMATION: 1 page (awaiting ECO) ECO M3358

TO WHOM SENT John Beem

REQUESTED BY Ed

PROBABLE DATE OF RETURN _____

ACTUAL DATE OF RETURN _____

PRINTED SAMPLE FILED YES NO

FILED BY _____

COMMENTS _____

INSTRUCTIONS FOR INSTALLING A CAM DETENT SPRING KIT IN A NATIONAL VENDORS® SHOWCASE 140, 141, 142, 143, 144 SPIRAL SNACK MERCHANDISER OR A LIMITED SERVICE VENDOR 150

CHECK THE PARTS RECEIVED IN THE KIT WITH THE PARTS LIST IN THESE INSTRUCTIONS. IF ANY PARTS ARE MISSING, CONTACT NATIONAL VENDORS' PARTS DEPARTMENT IMMEDIATELY.

These instructions cover the procedure for installing a Cam Detent Spring Kit in a 140, 141, 142, 143, 144 Spiral Snack Merchandiser or a Limited Service Vendor 150.

Read these instructions carefully and thoroughly before installing the kit. Retain these instructions for part number and installation information. Kit part number 143-7007, contains the following parts:

Part Number	Description	Quantity
143-7005	Spring-Cam Detent	5
143-7006	Instruction Installation-Cam Detent Spring Kit	1

Special Tools Required:
Screwdriver

WARNING

1. Before installing the Kit, insure that the Cabinet Door is securely blocked.
2. If the Interlock Switch is pushed in or pulled out, the Merchandiser is fully operational; and touching mechanical or electrical parts can result in injury. For maximum safety, disconnect the Merchandiser Service Cord before installing this Kit.

A. PARTS REMOVAL

1. Disconnect the Merchandiser Service Cord from the receptacle.
2. Unlock and fully open the Cabinet Door.

3. Ensure that the Door Support Leg is in position.
4. Remove lower Tray from the Cabinet.
5. Remove spirals from the tray.
6. With a screwdriver loosen the two screws that hold the motors to the tray. Remove motors, one at a time.

NOTE

Take care to observe the exact positions of all parts removed from the Merchandiser.

B. KIT INSTALLATION

1. Attach Cam Detent spring to motor. See Figure 1.
2. Reverse steps A4 through A6.
3. Close the Cabinet Door.
4. Connect the Merchandiser Service Cord to the receptacle.

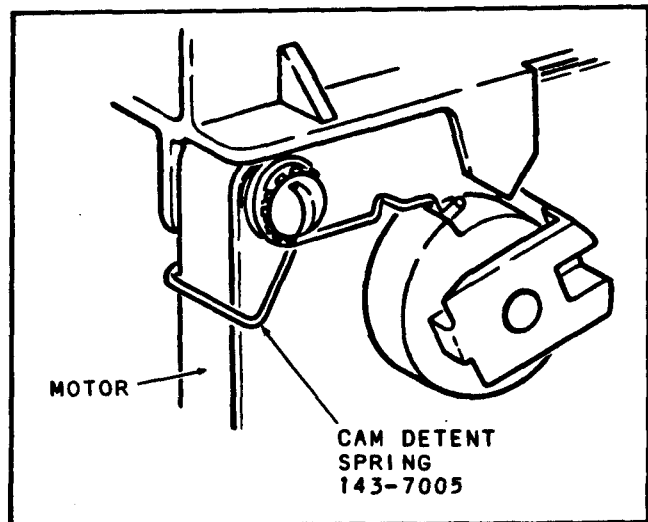


FIGURE 1

Bob
Coy

INSTRUCTIONS FOR INSTALLING A CAM DETENT SPRING KIT IN A NATIONAL VENDORS® SHOWCASE 140, 141, 142, 143, 144 SPIRAL SNACK MERCHANDISER OR A LIMITED SERVICE VENDOR 150

CHECK THE PARTS RECEIVED IN THE KIT WITH THE PARTS LIST IN THESE INSTRUCTIONS. IF ANY PARTS ARE MISSING, CONTACT NATIONAL VENDORS' PARTS DEPARTMENT IMMEDIATELY.

These instructions cover the procedure for installing a Cam Detent Spring Kit in a 140, 141, 142, 143, 144 Spiral Snack Merchandiser or a Limited Service Vendor 150.

Read these instructions carefully and thoroughly before installing the kit. Retain these instructions for part number and installation information. Kit part number 143-7007, contains the following parts:

Part Number	Description	Quantity
143-7005	Spring-Cam Detent	5
143-7006	Instruction Installation-Cam Detent Spring Kit	1

Special Tools Required:
Screwdriver

WARNING

1. Before installing the Kit, insure that the Cabinet Door is securely blocked.
2. If the Interlock Switch is pushed in or pulled out, the Merchandiser is fully operational; and touching mechanical or electrical parts can result in injury. For maximum safety, disconnect the Merchandiser Service Cord before installing this Kit.

A. PARTS REMOVAL

1. Disconnect the Merchandiser Service Cord from the receptacle.
2. Unlock and fully open the Cabinet Door.

3. Ensure that the Door Support Leg is in position.
4. Remove lower Tray from the Cabinet.
5. Remove spirals from the tray.
6. With a screwdriver loosen the two screws that hold the motors to the tray. Remove motors, one at a time.

NOTE

Take care to observe the exact positions of all parts removed from the Merchandiser.

B. KIT INSTALLATION

1. Attach Cam Detent spring to motor. See Figure 1.
2. Reverse steps A4 through A6.
3. Close the Cabinet Door.
4. Connect the Merchandiser Service Cord to the receptacle.

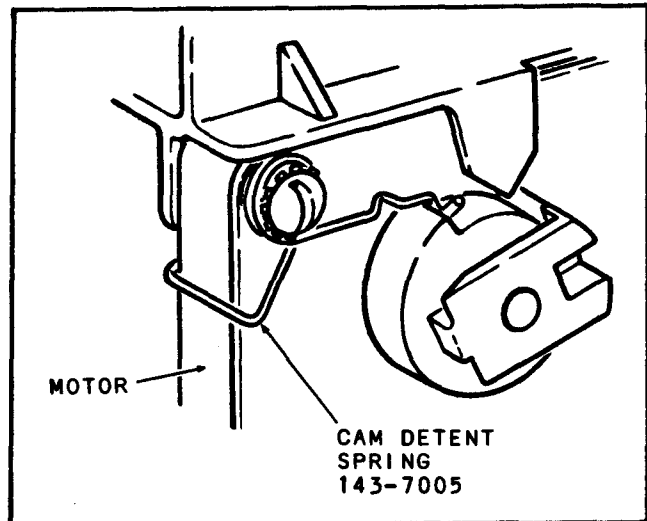


FIGURE 1